

57 wg and 119 wg

ARCOSA
TANK

Vertical A.S.M.E. Tanks

Finished with **ArcClad™**
Superior Aboveground Coating



Tank Features:

- Taller collar to accommodate preferred regulator set-ups
- Superior Coating
- D.O.T. 173.315(j) permits A.S.M.E. containers to be filled for transportation
- Heavy duty bottom foot ring
- Re-certification not required as compared with D.O.T. 4BW cylinders
- #72 liquid level outage valve orifice

For more information
888.558.8265

Fabricated to A.S.M.E. code, Section VIII, Division 1.
Division 2 design available
Registered with the National Board
Registered with CRN (Canadian Registration Number)

Vertical A.S.M.E. Tanks

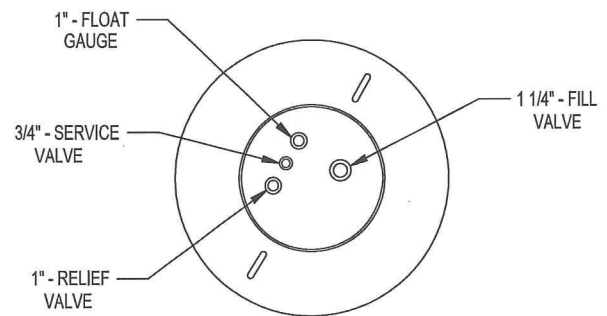
GENERAL SPECIFICATIONS

Conforms to the latest edition of the ASME code for Pressure Vessels, Section VIII, Division 1. Complies with NFPA 58.

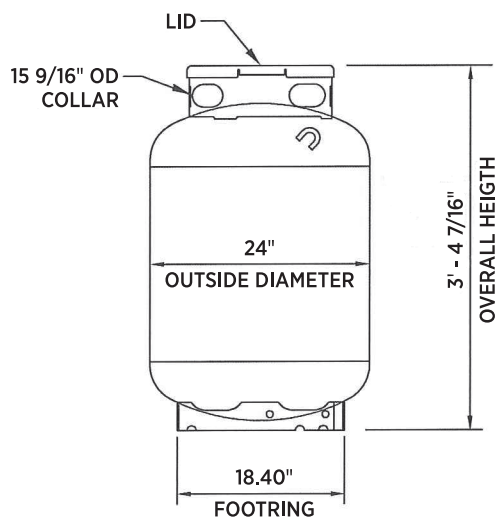
Rated at 250 psig MAWP from -20° F. to 125° F. All tanks may be evacuated to a full (14.7 psi) vacuum.

Vessels are pre-purge with vacuum and conforms with National Propane Gas Association #133-89(a) Alternative Purge Process.

Vessel Finish: Coated with **ArcClad**, zinc rich epoxy primer and super durable TGIC polyester topcoat.

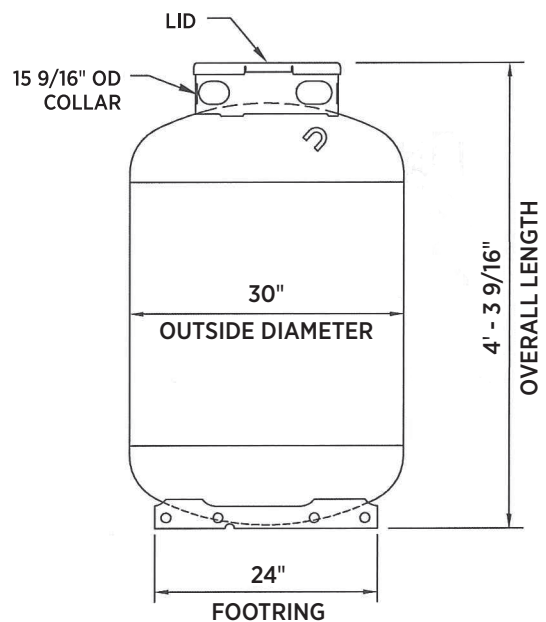


FITTINGS LAYOUT



24" OD (57 WG)

Est. weight: 268 lbs.
Quantity in Full Load: 208



30" OD (119 WG)

Est. weight: 320 lbs.
Quantity in Full Load: 99

Cre: December 14, 2018



For more information
888.558.8265